

# THE SOLUTION FOR CHANGING LIQUIDS efficiently, clean and safe



THE ORIGINAL



## TABLE OF CONTENTS

Femco® Draintechnology.....	3
Applicationlist .....	4
XL/XL Click drain applicationlist .....	16
Non drip drain plug.....	18
Standard drain plug .....	20
Standard drain design accessories.....	26
XL drain plug.....	28
XL drain design accessories .....	31
Compact drain plug.....	32
Compact drain design accessories.....	36
Click drain plug .....	38
Click drain design accessories.....	42
XL click drain plug.....	44
XL click design accessories.....	45
Quick drain plug .....	46



### Femco Draintechnology B.V.

Rendementsweg 7

3641 SK Mijdrecht

The Netherlands

+31 (0)297 - 23 02 05

info@femco.com

### Femco USA Inc.

15321 Main Street NE

Suite 319

Duvall WA 98019

United States

+1 425 318 6050

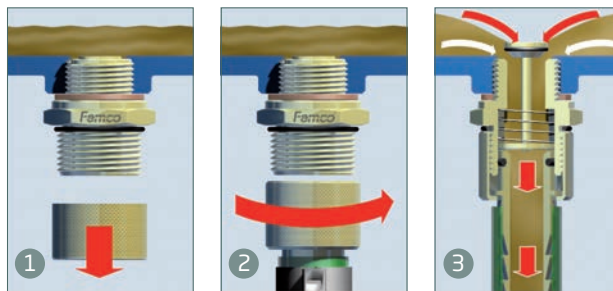
USA@femco.com



Femco<sup>®</sup>  
 Draintechnology is  
 proud to have its  
 own manufacturing  
 based in The  
 Netherlands.  
 They produce drain  
 systems that offer  
 an efficient, clean  
 and safe way to  
 change hot liquids  
 like engine, gearbox  
 and hydraulic oil  
 and coolant.

## FAQ

- What are the advantages of the Femco<sup>®</sup> drainage systems?
  - The Femco<sup>®</sup> oil drain plug reduces downtime
  - You can drain oil at engine temperature safely
  - You can drain oil in an environmental friendly way, because oil spillages are prevented
  - Oil is contained from sump to container
  - Eliminates the risk of stripped threads
  - Tool less oil changing, all you need is the drain hose
- For what applications can I use the Femco<sup>®</sup> oil drain plug?  
 You can use the Femco<sup>®</sup> oil drain plug for various applications like:  
 Cars, Motorcycles, Boats, Scooters, Trucks, Machines, Diggers, Agricultural machinery
- You can start the oil change in a few simple steps



- Which oil drain plug suits my application the best?  
 Femco<sup>®</sup> produces a lot of oil drain plugs and they are all specialised for different applications:
  - The Standard oil drain plug is installed when there is enough space available
  - The Compact oil drain plug is used where space is restricted
  - The Click Drain is used when u have a large number of vehicles
  - The XL oil drain plug is used when you have to drain a large amount of oil
  - The Quick Drain is used when u used for stationary machinery
- What are the drain plugs made from?  
 All our oil drain plugs are made from solid brass.
- Can I use a Femco<sup>®</sup> oil drain plug in combination with an oil extractor pump?  
 All Femco<sup>®</sup> oil drainage systems can be connected with an oil extractor pump.
- Can I perform an oil change while the oil is still hot?  
 All Femco<sup>®</sup> oil drain plugs are produced from solid brass and can be used to drain oil at engine temperature.
- Is it possible to drain fluids other than oil?  
 The Femco<sup>®</sup> oil drain plugs can be used to drain all kinds of fluid like
  - Engine oil
  - Coolant
  - Gearbox oil
  - Hydraulic oil
- What happens if I get water in my fuel tank?  
 Femco<sup>®</sup> drain plug are ideal for draining condensation from fuel tanks.
- How can I change the oil in a difficult place to reach?  
 Femco<sup>®</sup> can provide you with angled and extended drain connectors or special adaptors to drain oil even in the he tightest spaces.
- Can a Femco<sup>®</sup> oil drain plug be fitted with a magnet?  
 All Femco<sup>®</sup> oil drain plugs can be provided with a magnet, which can be inspected after draining the oil.

# APPLICATION LIST

## ALLIS CHALMERS

Item number	Thread size		Standard	Click drain	Compact	Quick drain
231, 320, 426 OEM part#: 224994, 205060, 225657, 225585, 74026437, 226408, 4026437	M16X1.5 T10	SB LB	6090010012 6090020036	8090010426 8090020426	7090010161 7090020184	6190010010
301 (2900 Series)	1- <sup>1</sup> / <sub>16</sub> -12-UNF-T15	LB	6080020122	8080020490	7080020378	
426T (3500 Series)	<sup>3</sup> / <sub>4</sub> -14-NPT-T12	LB	6060020144	8060020514	7060020409	
190XT, B, IB, C, CA, RC, WC, WD, WD45, D10, D12, D14, D15, D17, D19, D21, 170 GAS, 175 GAS, 180, 185, 190, 190XT, 200, 210, 220, 6060, 6070, 6080, 7000, 7010, 7020, 8010	<sup>7</sup> / <sub>8</sub> "-18 UNF T10	LB	6080020118	8080020488	7080020363	

## ALLISON

Item number	Thread size		Standard	Click drain	Compact	Quick drain
VR731 , AT545 MT640/3 , MT650/3	<sup>1</sup> / <sub>2</sub> -20-UNF -T10	SB LB	6080010087 6080020109	8080010477 8080020477	7080010334 7080020354	6180010001
B300 , B400 , B500, HYBRID EP40 MD3560P , EP40 , 3000, 4000 Series	<sup>3</sup> / <sub>4</sub> -16-UNF-T15	SB LB	6080010093 6080020114	8080010482 8080020482	7080010340 7080020359	6180010008
6061 , 9820	<sup>3</sup> / <sub>4</sub> -14-NPT-T15	LB	6060020144	8060020520	7060020411	
MT654 , HT755DR , HT740	1-11.5-NPT-T12	LB	6060020145	8060020516	7060020413	
HT740RS	<sup>7</sup> / <sub>8</sub> -14-UNF-T10	LB	6080020115	8080020483	7080020360	
1000, 2000 , 2500	M12x1.75-T9	SB LB	6090010004 6090020031	8090010421 8090020421	7090010153 7090020170	6190010004

## BRIGGS & STRATTON

Item number	Thread size		Standard	Click drain	Compact	Quick drain
Small engine	<sup>3</sup> / <sub>8</sub> -18-NPT-T10	SB LB	6060010107 6060020142	8060010512 8060020512	7060010352 7060020407	6160010003
Large engine	<sup>1</sup> / <sub>2</sub> -14NPT T12	SB LB	6060010109 6060020143	8060010514 8060020513	7060010354 7060020408	6160010002

# APPLICATION LIST

CASE-IH						
Item number	Thread size		Standard	Click drain	Compact	Quick drain
3054, 3056, 3204, 3208, C4.4 3116, 3126, C7, C9 side	¾-16-UNF-T10	SB LB	6080010092 6080020113	8080010481 8080020481	7080010339 7080020358	6180010007
3116, 3126, C7, C9 bottom, 305, 359, 504.5, 505CID, MAGNUM SERIES, 5120-9240 w/ Cummins 5.9, 8.3L	M18x1.5 T14	SB LB	6090010027 6090020037	8090010433 8090020477	7090010166 7090020183	6190010015
3176, 3412, 3406, 3408, some 3306 C10, C11, C12, C13, C15, C16, C18 Acert C27 (Pass. Rear, Driver Front)	1 1/8-12UNF T12	LB	6080020124	8080020498	7080020387	
Acert C27 (Driver, Rear, pass. Front)	1 5/16-12UNF T12	LB	6080020125	8080020494	7080020372	
3304, 3508, Some 3306	1 ½-12UNF T12	LB	6080020128	8080020496	7080020355	
NPT Plugs	1-11.5NPT T12	LB	6060020145	8060020516	7060020413	
9250-9280, 9350-9390	1-18-UNS-T12	LB	6060020148	8060020519	7050020417	
STX Tractors w/Cummins QSX	M27x2.0 T12	LB	6090020070	8090020458	7090020216	6190010035
OEM: 688067C1, 445097, 41300HA, 359875R1, 445096 D282, D312, D360, D407, DT407, D414, DT414, DT429, D436, DT436, DT466, V800 Case-IH Combine: 1440, 1460, 1480 Case-IH Cotton Picker: 1822, 1844 Case-IH Industrial/Construction: 2656, 2706, 2856, 21026, 21256, 21456 Case IH-Tractor: 100, 130, 140, 154, 230, 240, 275, 330, 340, 350, 354, 384, 400, 404, 414, 424, 434, 444, 450, 454, 460, 464, 504, 544, 560, 574, 600, 606, 650, 656, 660, 666, 674, 686, 706, 756, 766, 806, 826, 856, 886, 966, 986, 1066, 1026, 1086, 1206, 1256, 1456, 1466, 1486, 1566, 1586, 2400, 2404, 2424, 2444, 2500, 2606, 3388, 3414, 3444, 3488, 3588, 3688, 3788, 4100, 4156, 4366, 4386, 4568, 4586, 4786, 5088, 5288, 5488, 6388, 6588, 6788, TD5, Early 500	7/8"-18 UNF T10	LB	6080020118	8080020486	7080020363	

With 600 sizes in stock, if you don't see yours, please contact us for a quote.

# APPLICATION LIST

CATERPILLAR						
Item number	Thread size		Standard	Click drain	Compact	Quick drain
All CAT's with tapered pipe plug	1 11.5NPT T12	LB	6060020145	8060020516	7060020413	
"1100, 1140, 1145, 1150, 1160, 3100, 3116, 3126B (on the side), 3126E, C-6, C-7, C-9, 938, 3126, 3208"	¾-16UNF T15	SB	6080010093	8080010482	7080010340	6180010008
		LB	6080020114	8080020482	7080020359	
3054, 3056, 3204, 3208, 4.4L	¾-16 UNF T10	LB	6080020113	8080020481	7080020358	
3176, 3406, 3408, 3412, C10, C11, C12, C13, C14, C15, C16, C18, C30, 3306(some), C27 passenger rear driver front	1-½ 12UNF T15	LB	6080020123	8080020491	7080020388	
936, 950, 3304, 3508, 3306(some), 3044C	1-½ 12UNF T12	LB	6080020128	8080020496	7080020355	
3024C, C22, CH3XL2.22TIC,	M16x1.5 T10	SB	6090010029	8090010426	7090010161	6190010010
		LB	6090020036	8090020426	7090020184	
3116, 3126, 3126B, C4, C7, C9 (when plug in on the bottom)	M18x1.5 T14	LB	6090020037	8090020477	7090020183	
CT11-15	M27x2.0 T12	LB	6090020070	8090020458	7090020216	6190010035
CAT745C	1-11-BSP-T12	LB	6070020141	8080020506	7070020401	
C27 ACERT driver rear, passenger front	1-5/16-12UNF T12	LB	6080020125	8080020494	7080020372	

CHEVROLET						
Item number	Thread size		Standard	Click drain	Compact	Quick drain
C1500, C20, C10, C2500, C30 C3500, G10, , G20, G30, K10, K1500, K20, K2500, K30, K3500 R10, R1500, ,R0, R2500, R30, R3500 Most older Chevy/GMCars trucks	½-20-UNF T12	SB	6080010085	8080010475	7080010332	
		LB	6080020136	8080020512	7080020392	
Most all '90 and newer Chevy/GM cars & trucks	M12x1.75 T10	SB	6090010004	8090010421	7090010153	6190010004
		LB	6090020031	8090020421	7090020170	
Duramax Diesel	M14x1.5 T10	SB	6090010007	8090010423	7090010156	6190010006
		LB	6090020033	8090020423	7090020181	

CONTINENTAL						
Item number	Thread size		Standard	Click drain	Compact	Quick drain
Models from 41AL000200	¾ 16 UNF T10	SB	6080010092	8080010481	7080010339	6180010007
		LB	6080020113	8080020481	7080020358	
Engines from W4B00109	7/8-18 UNF T10	LB	6080020118	8080020486	7080020363	
Small pump / genset	¾-18-NPT-T10	SB	6060010107	8060010512	7060010352	6160010003
		LB	6060020142	8060020512	7060020407	

# APPLICATION LIST

CUMMINS						
Item number	Thread size		Standard	Click drain	Compact	Quick drain
ISX, QSX, Sig. 600, QST30, N15	M27x2.0 T12	LB	6090020070	8090020458	7090020216	6190010035
	M27x2.0 T12 o-ring	LB	6090020071	8090020459		
ISM, QSM, L10, M11, N14, 444, 855, QSK50, NTC, NT, NH, 350NT	1-18UNS T12	LB	6060020148	8060020519	7050020417	
5.9L CPL2071, 8.3L Most ISB, ISC, ISL, 6B, 6C, QSL, ISLG, ISQ, B&C Series, 4BT3.9, 6BT5.9, 8.3L, QSC, 355 Pre 1995, Dodge 5.9L Diesel 2003-2006 Dodge 5.9L Diesel Dodge 6.7L Diesel, QSB (bottom)	M18x1.5 T14	SB	6090010027	8090010433	7090010166	6190010015
		LB	6090020037	8090020477	7090020183	
Some, ISB, ISC, ISL, 6B, 6C, QSL Other 6.7L Diesel, 3.3L, 4.5L, QSB (side)	M22x1.5 T10	SB	6090010023	8090010436	7090010172	6190010019
		LB	6090020047	8090020436	7090020195	
VT504, 555, 378V6, QSK	¾-16UNF T10	SB	6080010092	8080010481	7080010339	6180010007
		LB	6080020113	8080020481	7080020358	
1995-2002 Dodge 5.9L Diesel	M22x1.5 T15	SB	6090010026	8090010441	7090010174	6190010021
		LB	6090020049	8090020440	7090020198	
KT1150, QSKT19, KTTA19	1 ¼-12UNF T15	LB	6080020122	8080020490	7080020378	
A2000, A2300	M14x1.5 T10	SB	6090010007	8090010423	7090010156	6190010006
		LB	6090020033	8090020423	7090020181	
QSK 23	M28x1.5 T12	LB	6090020075	8090020464	7090020339	
QSK60, QSK45	M42x2.0 LB T12	LB	6090020090	8090020469		

DETROIT DIESEL						
Item number	Thread size		Standard	Click drain	Compact	Quick drain
352, 353, 453, 652, 853, 50 & 60 Series	¾-14-NPT T15	LB	6060020144	8060020520	7060020411	
6V92, 6V71, 8v92, 8v71, 471T	½ -14NPT T12	SB	6060010109	8060010514	7060010354	6160010002
		LB	6060020143	8060020513	7060020408	
DD13, DD15, DD16, 2000, 4000 Series, V8, V12	M27x2.0 T12	LB	6090020070	8090020458	7090020216	6190010035
40 Series	M25x1.5 T15	LB	6090020061	8090020451	7090020210	

DEUTZ						
Item number	Thread size		Standard	Click drain	Compact	Quick drain
FM 1008	M12x1.5 T10	SB	6090010003	8090010044	7090010152	6190010009
		LB	6090020030	8090020420	7090020178	
F3L913, F4L913, F6L913, F8L913	M30x1.5 T10	LB	6090020074	8090020463	7090020220	
F3L1011F, F4L1011F, 2011, TCD2012	M18x1.5 T14	SB	6090010027	8090010433	7090010166	6190010015
		LB	6090020037	8090020477	7090020183	
F5L912, F6L912, F3L912	M22x1.5 T10	SB	6090010023	8090010436	7090010172	6190010019
		LB	6090020047	8090020436	7090020195	
W1140, W1450	M16x1.5 T10	SB	6090010012	8090010426	7090010161	6190010010
		LB	6090020036	8090020426	7090020184	

With 600 sizes in stock, if you don't see yours, please contact us for a quote.

# APPLICATION LIST

DODGE						
Item number	Thread size		Standard	Click drain	Compact	Quick drain
Pre1999 2.7L, 3.2L, 3.3L, 3.5L, 3.8L All 3.9L, 5.2L, 5.9L, 3.9L, 8.0L, 8.1L, 8.3L	½-20-UNF -T10	SB	6080010087	8080010477	7080010334	6180010001
		LB	6080020109	8080020477	7080020354	
1999 + 2.7L, 3.2L, 3.3L, 3.5L, 3.8L All 1.7L, 1.8L, 2.0L, 2.4L, 2.6L All 3.0L, 3.6L, 3.7L, 5.7L, 6.1L	M14x1.5 T10	SB	6090010007	8090010423	7090010156	6190010006
		LB	6090020033	8090020423	7090020181	

FORD						
Item number	Thread size		Standard	Click drain	Compact	Quick drain
Powerstroke 7.3L, 6.0L, 6.4L, 6.7L	M14x1.25 T10	SB	6090010005	8090010422	7090010154	6190010012
		LB	6090020032	8090020422	7090020180	
1991 + 5.4L, 1993 + 5.8L 1997-2010 5.0L, 7.5L, V10-6.8L	M14x1.5 T10	SB	6090010007	8090010423	7090010156	6190010006
		LB	6090020033	8090020423	7090020181	
Duratec 24 valve 3.0L & 3.5L 1996 + 4.2L, 1996 -2003 2.3L 2.5L SOHC. 1995 + V6-2.5L, 2011 +5.0L	M12x1.75 T10	SB	6090010004	8090010421	7090010153	6190010004
		LB	6090020031	8090020421	7090020170	
Pre 1997 5.0L, Pre1993 5.8L 1987-1994 7.3L Diesel	½-20 UNF T10	SB	6080010087	8080010477	7080010334	6180010001
		LB	6080020109	8080020477	7080020354	

General Motors						
Item number	Thread size		Standard	Click drain	Compact	Quick drain
2.0L, 2.2L, 2.3L, 2.4L, 2.5L 2.9L, 3.1L, 3.4L, 3.5L, 3.7L 3.9L, 4.2L, 4.9L, 5.3L, 6.0L, 8.1L	M12x1.75 T10	SB	6090010004	8090010421	7090010153	6190010004
		LB	6090020031	8090020421	7090020170	
All Pre 1996 2.2L, 2.3L, 3.4L, 3.8L 4.3L, 5.0L, 5.7L, 6.5L, Diesel, 7.4L	½-20-UNF -T10	SB	6080010087	8080010477	7080010334	6180010001
		LB	6080020109	8080020477	7080020354	
Duramax Diesel	M14x1.5 T10	SB	6090010007	8090010423	7090010156	6190010006
		LB	6090020033	8090020423	7090020181	

HATZ						
Item number	Thread size		Standard	Click drain	Compact	Quick drain
2L31C	M18x1.5 T14	SB	6090010027	8090010433	7090010166	6190010015
		LB	6090020037	8090020477	7090020183	
Supra MO	M22x1.5 T10	SB	6090010023	8090010436	7090010172	6190010019
E Serie	½-14 BSP T10	SB	6070010100	8080010502	7070010348	6170010001



# APPLICATION LIST

HINO						
Item number	Thread size		Standard	Click drain	Compact	Quick drain
DS50, EL100, EM100, EP100, E13C	M30x1.5 T10	LB	6090020074	8090020463	7090020220	
H06C, H07C, W04C, EC100	M22x1.5 T10	SB	6090010023	8090010436	7090010172	6190010019
		LB	6090020047	8090020436	7090020195	
F21C, F20C, F17D, K13C W04D, J08E J05C, J08C, S05D, W04D	M18x1.5 T14	SB	6090010027	8090010433	7090010166	6190010015
		LB	6090020037	8090020477	7090020183	

HITACHI						
Item number	Thread size		Standard	Click drain	Compact	Quick drain
1200-6	1-11 BSP T12	LB	6070020141	8080020506	7070020401	
150T with Isuzu engine	M20x1.5-T10	LB	6090020040	8090020430	7090020189	
280T Fuso engine	M18x1.5 T10	LB	6090020038	8090020428	7090020186	

INTERNATIONAL						
Item number	Thread size		Standard	Click drain	Compact	Quick drain
152, 187, 304, 345, 392, 360	½-20UNF T10	SB	6080010087	8080010477	7080010334	6180010001
404, 420 (6.9L), Pre 1995 7.3L 461, 462, 478, 537, 549, 550, 986 1086, 1486, 1466, D150, D170, D190 Pre 1995 466, 551, DT366 & DT466	7/8-18UNF T10	LB	6080020109	8080020477	7080020354	
		LB	6080020118	8080020486	7080020363	
VT275, VT365, T444E, MaxxFace 5 & 7	M14x1.25 T10	SB	6090010005	8090010422	7090010154	6190010012
		LB	6090020032	8090020422	7090020180	
DT360, DT408, DT530 1995-2003 DT466 & DT570 2004-2006 & 2006 w/Vin > 2 million DT466 & DT570 MaxxFace DT, MaxxFace 9, MaxxFace 10 Side plug	M25x1.5 T15	LB	6090020061	8090020451	7090020210	
2007-2009 & 2006 w/Vin < 2 million DT466 & DT570 MaxxFace 10 Bottom plug	M18x1.5 T14	SB	6090010027	8090010433	7090010166	6190010015
		LB	6090020037	8090020477	7090020183	
MAxxFace 11, 13, 15	M27x2.0 T12	LB	6090020070	8090020458	7090020216	6190010035

# APPLICATION LIST

ISUZU						
Item number	Thread size		Standard	Click drain	Compact	Quick drain
6QA1&2, 6SA1&2, 6RA1, 6RB1 6BF1, 8PA1, 8PB1, 8PC1, DA220 DA640, 12PB1, 10PA1, 10PB2 OPC1, 10PE1, 12PC1, E120, 4L2X DH10H, 4HK1, 4JJ1, 6SB1, Tier3	M24x2.0 T12	LB	6090020057	8090020447	7090020206	
3LB1, 3LD1, 4BD1&2, 4BC2 Tier 2, 4BC1, 4HE1, 4JC1, 4JC2 4JG2, BA1, 6BB1, 6BD1T, 6BG1 6BF1, B Series, HE1, 6HF1, 6HK1 6WG1, G161, C240, 4LE1, 4HK1	M20x1.5 T10	SB LB	6090010018 6090020040	8090010430 8090020430	7090010167 7090020189	6190010016
4BE1, 4BG2, 4JA1, 4JB1 4ZC1, C223, C200	M14x1.5 T10	SB LB	6090010007 6090020033	8090010423 8090020423	7090010156 7090020181	6190010006

IVECO						
Item number	Thread size		Standard	Click drain	Compact	Quick drain
Z110, Z120TA, Z220, Z220T, Z230T, Z2340T, Z450T, P85, 6.7L	M22x1.5 T10	SB LB	6090010023 6090020047	8090010436 8090020436	7090010172 7090020195	6190010019

# APPLICATION LIST

JOHN DEERE						
Item number	Thread size		Standard	Click drain	Compact	Quick drain
Part# T20098	7/8-20UNF T10	LB	6080020119	8080020487	7080020364	
Part# R26727, 359+, 404, 466, 619, 955CID	1-14UNF T12	LB	6080020121	8080020489	7080020367	
Part# T111565	M16x1.5 T10	SB	6090010012	8090010426	7090010161	6190010010
		LB	6090020036	8090020426	7090020184	
Part# M1746T, 359CID,	7/8-14UNF T10	LB	6080020115	8080020483	7080020360	
Part# R27175, R84262, 496CID, 4*50 & 4*55 SERIES	1 1/16-12UNF T15	LB	6080020122	8080020490	7080020378	
Part# RE523251, RE 46687, R515195	M22x1.5 T10	SB	6090010023	8090010436	7090010172	6190010019
Part# R116102, RE500611, RE507950		LB	6090020047	8090020436	7090020195	
Part# RE 46685, R27474	M18x1.5 T14	SB	6090010027	8090010433	7090010166	6190010015
		LB	6090020037	8090020477	7090020183	
With 855 or L10 Cummins	1-18 UNS T12	LB	6060020148	8060020519	7050020417	
<b>AG TRACTORS:</b> 4755-4960, 7200, 7400, 7600, 7700-7710, 7800-7810, 8100-8420, 8430(new), 9100-9520	1 1/16-12UNF T15	LB	6080020122	8080020490	7080020378	
<b>AG TRACTORS:</b> 3010-3020-, 4000-4020, 4230-4240, 4430-4440, 4620-4630	1-14UNF T12	LB	6080020121	8080020489	7080020367	
<b>AG TRACTORS:</b> 2010, 2040, 2350-55, 2550-55, 2750-2955, 3050-3255, 4030	7/8-14UNF T10	LB	6080020115	8080020483	7080020360	
<b>AG TRACTORS:</b> 301-401, 820-830, 1020, 1070, 1520-1530, 2020-30, 2150, 2240-50, 2440, 2630-40, 6100, 6200, 6300, 6400, 6500	7/8-20UNF T10	LB	6080020119	8080020487	7080020364	
<b>AG TRACTORS:</b> 7:310	M27x2.0 T12	LB	6090020070	8090020458	7090020216	6190010035

KOMATSU						
Item number	Thread size		Standard	Click drain	Compact	Quick drain
3D72, 3D72-2BA (SN#1001-3000)	M22x1.5 T10	SB	6090010023	8090010436	7090010172	6190010019
3D75, 3d75N, 3D78, 3D78N		LB	6090020047	8090020436	7090020195	
3D80, 3D84, 3D84N, 4D84						
With Perkins	3/4-16-UNF-T10	SB	6080010092	8080010481	7080010339	6180010007
		LB	6080020113	8080020481	7080020358	
S3D84E, 1D75, 1D84, 2T75L, 3D62AE, KDP20T, KDP30T, KDP40T, S3D84	M24x1.5 T15	LB	6090020055	8090020445	7090020204	
2D68E, 3D66, 3D72N, 3D78-1F						
3D84N-2AA, 3D84E, 2D75, 3D68E, 3D63						
WA500-3	1-11,5-NPT-T12	LB	6060020145	8060020516	7060020413	

With 600 sizes in stock, if you don't see yours, please contact us for a quote.

# APPLICATION LIST

KUBOTA						
Item number	Thread size		Standard	Click drain	Compact	Quick drain
Carrier Refers - ultra Phoenix 134 D1005, D1503, D722, 482, V3300 V3800, V2203, Tripac, Comfort Pro Guard	M22x1.5 T10	SB	6090010023	8090010436	7090010172	6190010019
		LB	6090020047	8090020436	7090020195	
D600, D750, D850, D950, D1102, D1302 D1402, F2302, S2600, S2800, V1100 V1502, V1505, V1702, V1902, V4300, Z8600C Z400, Z500, Z751, Z851, ZB-600C, D905E	M12x1.25 T10	SB	6090010002	8090010049	7090010151	6190010001
		LB	6090020029	8090020419	7090020177	
D782, V1903, V2003, Z600BM	M16x1.5 T10	SB	6090010012	8090010426	7090010161	6190010010
		LB	6090020036	8090020426	7090020184	

LISTER PETER						
Item number	Thread size		Standard	Click drain	Compact	Quick drain
Delta Series, X Range series	M14x1.5 T10	SB	6090010007	8090010423	7090010156	6190010006
		LB	6090020033	8090020423	7090020181	
LAP3, LPWS4	½-14 BSP T10	SB	6070010100	8080010502	7070010348	6170010001
		LB	6070020132	8080020502	7070020397	
CRK3	¾-19 BSP T10	SB	6070010131	8080010501	7070010347	6170010008
		LB	6070020131	8080020501	7070020396	

MACK						
Item number	Thread size		Standard	Click drain	Compact	Quick drain
E3, EC3, EC5, E6	¾-14UNF T10	LB	6080020115	8080020483	7080020360	
ASET, E7, CHC, 350	M20x1.5 T10	SB	6090010018	8090010430	7090010167	6190010016
		LB	6090020040	8090020430	7090020189	
M200, M250, CS200, CS250	M36x2.0 T12	LB	6090020082	8090020471	7090020337	
MP7, MP8, MP10, Midliner	M24x1.5 T15	LB	6090020055	8090020445	7090020204	
E9	½-14NPT T12	SB	6060010109	8060010514	7060010354	6160010002
		LB	6060020143	8060020513	7060020408	

# APPLICATION LIST

MERCEDES						
Item number	Thread size		Standard	Click drain	Compact	Quick drain
Older Trucks & bus engines	M26x1.5 T10	LB	6090020063	8090020452	7090020212	
Up to 2005 MBE 4000 (S/N<833529)	M26x1.5 T10 (47L)	LB	6090020066	8090020455		
MBE 4000 (S/N> 833529)	M22x1.5 T10	SB	6090010023	8090010436	7090010172	6190010019
MBE 900/906, OM 460, 926		LB	6090020047	8090020436	7090020195	
Actros	M20x1.5 T15	LB	6090020044	8090020432		
Atego	M24x1,5 T12	LB	6090020054	8090020444	7090020203	
Atego, OM441LA, OM457hLA, om906hLA, OM457LA	M26x1.5 T10	LB	6090020063	8090020452	7090020212	
OM502LA	M20x1.5 T10	LB	6090020040	8090020430	7090020189	
OM612DE27LA, OM611DELA euro2, OM642DE30LA, OM651DE22LA, OM646DE22LA	M14x1.5 T10	LB	6090020033	8090020423	7090020181	

MITSUBISHI						
Item number	Thread size		Standard	Click drain	Compact	Quick drain
4P10	M22x1.5 T10	SB	6090010023	8090010436	7090010172	6190010019
		LB	6090020047	8090020436	7090020195	
6D14-2AT, 6D1402A, K4E, 4G54, 6D24	M18x1.5 T14	SB	6090010027	8090010433	7090010166	6190010015
		LB	6090020037	8090020477	7090020183	
S62E	M16x1.5 T10	SB	6090010012	8090010426	7090010161	6190010010
		LB	6090020036	8090020426	7090020184	
S4	M14x1.5 T10	SB	6090010007	8090010423	7090010156	6190010006
		LB	6090020033	8090020423	7090020181	

NISSAN INDUSTRIAL						
Item number	Thread size		Standard	Click drain	Compact	Quick drain
PX6,PX7, PX8, PX9	M18x1.5 T14	SB	6090010027	8090010433	7090010166	6190010015
		LB	6090020037	8090020477	7090020183	
MX	M26x1.5 T10	LB	6090020063	8090020452	7090020212	

PACCAR						
Item number	Thread size		Standard	Click drain	Compact	Quick drain
MX	M26x1.5 T10	LB	6090020063	8090020452	7090020212	
PX6,PX8	M18x1.5 T14	SB	6090010027	8090010433	7090010166	6190010015
		LB	6090020037	8090020477	7090020183	

# APPLICATION LIST

## PERKINS

Item number	Thread size		Standard	Click drain	Compact	Quick drain
Most (including forklifts), 6.6L, 1106, 1000 SERIES	¾-16-UNF-T10	SB	6080010092	8080010481	7080010339	6180010007
		LB	6080020113	8080020481	7080020358	
2 Cyl, Ringmaster	M12x1.25 T10	SB	6090010002	8090010049	7090010151	6190010001
		LB	6090020029	8090020419	7090020177	
4 Cyl,	M16x1.5 T10	SB	6090010012	8090010426	7090010161	6190010010
		LB	6090020036	8090020426	7090020184	

## SCANIA

Item number	Thread size		Standard	Click drain	Compact	Quick drain
P280B 6X2*4	M24x2.0 T21 47L	LB	6090020058			
No insert	M30x1.5 T10	LB	6090020074	8090020463	7090020220	
With insert	M24x2.0 T12	LB	6090020057	8090020447	7090020206	

## SISU

Item number	Thread size		Standard	Click drain	Compact	Quick drain
Tractor	M18x1.5 T14	SB	6090010027	8090010433	7090010166	6190010015
		LB	6090020037	8090020477	7090020183	

## TEREX-DEMAG

Item number	Thread size		Standard	Click drain	Compact	Quick drain
CC2400 (Mercedes engine)	M26x1.5 T10	LB	6090020063	8090020452	7090020212	

## THERMOKING

Item number	Thread size		Standard	Click drain	Compact	Quick drain
Yanmar & Isuzu	¾-14NPT T15	LB	6060020144	8060020520	7060020411	
	½-14 NPT T12	LB	6060020143	8060020513	7060020408	

## TOYOTA

Item number	Thread size		Standard	Click drain	Compact	Quick drain
2G, 1Z, 1DZ, 2D, 2F, 2H	M25x1.5 T15	LB	6090020061	8090020451	7090020210	
4D, 5R	M18x1.5 T14	SB	6090010027	8090010433	7090010166	6190010015
		LB	6090020037	8090020477	7090020183	
4Y	M12x1.25 T10	SB	6090010002	8090010049	7090010151	6190010001
		LB	6090020029	8090020419	7090020177	

# APPLICATION LIST

VOLVO						
Item number	Thread size		Standard	Click drain	Compact	Quick drain
TD Models, F6, F7, F86, N10.12, Penta	7/8-14UNF T10	LB	6080020115	8080020483	7080020360	
Grader	M32x1.5 T12	LB	6090020078	8090020467	7090020222	
F12, FH12, D7, D11, D12, D13, D16 D13A, D16C, D16C7, D11C, D11A, D13C	M24x1.5 T15	LB	6090020055	8090020445	7090020204	
FH16	M24x2.0 T12	LB	6090020057	8090020447	7090020206	

YANMAR						
Item number	Thread size		Standard	Click drain	Compact	Quick drain
1GM10, 3TN75EG2, 3TN82ES, 3TM75ES	M22x1.5 T10	SB	6090010023	8090010436	7090010172	6190010019
3TN75EG1, 3TN8EG1, 3TNA72ES		LB	6090020047	8090020436	7090020195	
3TNA72EG2, 3TN82EG2, 4TN85TEG2						
4tN85TES, 4TN82TEG1, 3TNV88, 3TNE74						
3TNV84T, 4TNV88, 4TNV98, 4TN498, 4TNV84T						
4TN82TES, TN82TEG2						
TS50, T50C, TS60, TS60C, TS70, TS80	M16x1.5 T10	SB	6090010012	8090010426	7090010161	6190010010
TS80C, TS105, TS105C, 2T72HLE		LB	6090020036	8090020426	7090020184	
2TNV88, 3TNV70, 3TNV74, 3TNV76						
3TNV82, 2T90LE, 3T80LE, 3T90LE						
75HLE, 3T84HLE, 2T90E, 3TN663S						
3TN66EG2, 4PH-ME, PHMTE						
6LY-UTE, 6CX-ETE, 6PH-ME	M20x1.5 T10	SB	6090010018	8090010430	7090010167	6190010016
		LB	6090020040	8090020430	7090020189	
3T95LE, 4T95LE, 4T95LTE	M24x2.0 T12	LB	6090020057	8090020447	7090020206	

# XL/XL CLICK DRAIN APPLICATION LIST

ALLIS CHALMERS				
Item number	Thread size		XL Standard	XL Click drain
301 (2900 Series)	1-1/16-12-UNF-15	LB	5080021116	8180020492

ALLISON				
Item number	Thread size		XL Standard	XL Click drain
MT654 , HT755DR , HT740	1-11.5-NPT-T12	LB	5060021115	8160021115

CASE-IH				
Item number	Thread size		XL Standard	XL Click drain
3176 , 3412 , 3406 , 3408 , some 3306 C10 , C11 , C12 , C13 , C15 , C16 , C18 Acert C27 (Pass. Rear, Driver Front)	1 1/8-12UNF T12	LB	5080021181	8180021181
Acert C27 (Driver, Rear, pass. Front)	1 5/16-12UNF T12	LB	5080021516	8180021516
3304 , 3508 , Some 3306	1 1/2-12UNF T12	LB	5080021120	8180021120
NPT Plugs	1-11.5NPT T12	LB	5060021115	8160021115
STX Tractors w/Cummins QSX	M27x2.0 T12	LB	5090020272	8190020272

CATERPILLAR				
Item number	Thread size		XL Standard	XL Click drain
All CAT's with tapered pipe plug	1 11.5NPT T12	LB	5060021115	8160021115
3176, 3406, 3408, 3412, C10, C11, C12, C13, C14, C15, C16, C18, C30, 3306(some), C27 passenger rear driver front	1-3/8 12UNF T15	LB	5080021180	8180020491
936, 950, 3304, 3508, 3306(some), 3044C	1-1/2 12UNF T12	LB	5080021120	8180021120
CT11-15	M27x2.0 T12	LB	5090020272	8190020272
CAT745C	1-11-BSP-T12	LB	5070021111	8170021111
C27 ACERT driver rear, passenger front	1-5/16-12UNF T12	LB	5080021516	8180021516

CUMMINS				
Item number	Thread size		XL Standard	XL Click drain
ISX, QSX , Sig. 600 , QST30 , N15	M27x2.0 T12	LB	5090020272	8190020272
	M27x M2.0 T12 o-ring	LB	5090020273	8190020273
KT1150 , QSKT19, KTTA19	1 1/16-12UNF T15	LB	5080021116	8180020492

DETROIT DIESEL				
Item number	Thread size		XL Standard	XL Click drain
DD13, DD15, DD16, 2000, 4000 Series, V8, V12	M27x2.0 T12	LB	5090020272	8190020272



## XL/XL CLICK DRAIN APPLICATION LIST

DEUTZ				
Item number	Thread size		XL Standard	XL Click drain
F3L913, F4L913, F6L913, F8L913	M30x1.5 T10	LB	5090020301	8190020301

HINO				
Item number	Thread size		XL Standard	XL Click drain
DS50, EL100, EM100, EP100, E13C	M30x1.5 T10	LB	5090020301	8190020301

HITACHI				
Item number	Thread size		XL Standard	XL Click drain
1200-6	1-11 BSP T12	LB	5070021111	817002111

INTERNATIONAL				
Item number	Thread size		XL Standard	XL Click drain
MAxxForce 11, 13, 15	M27x2.0 T12	LB	5090020272	8190020272

JOHN DEERE				
Item number	Thread size		XL Standard	XL Click drain
Part# R27175, R84262, 496CID, 4*50 & 4*55 SERIES	1 1/16-12UNF T15	LB	5080021116	8180020492
<b>AG TRACTORS:</b> 4755-4960, 7200, 7400, 7600, 7700-7710, 7800-7810, 8100-8420, 8430(new), 9100-9520	1 1/16-12UNF T15	LB	5080021116	8180020492
<b>AG TRACTORS:</b> 7.310	M27x2.0 T12	LB	5090020272	8190020272

KOMATSU				
Item number	Thread size		XL Standard	XL Click drain
WA500-3	1-11,5-NPT-T12	LB	5060021115	8160021115

SCANIA				
Item number	Thread size		XL Standard	XL Click drain
No insert	M30x1.5 T10	LB	5090020301	8190020301

VOLVO				
Item number	Thread size		XL Standard	XL Click drain
Grader	M32x1.5 T12	LB	5090020322	8190020322

## PRODUCTS

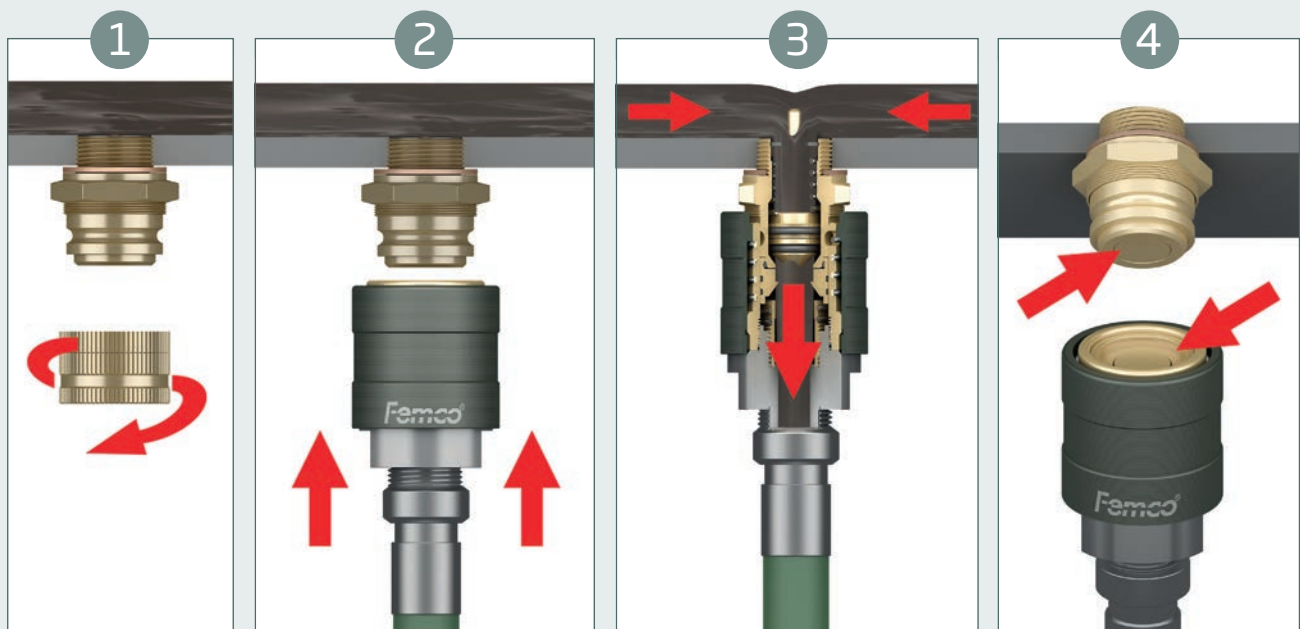
# NON DRIP DRAIN PLUG

The Non Drip Oil drain plug is specially designed for companies that uses our products for draining as well as filling. This Non Drip oil drain plug was developed with one of the leading OEM in the World.

While connecting or disconnecting the drainer, there is not a drop of oil spilled.



### HOW TO DRAIN YOUR OIL (OR OTHER FLUIDS)



## NON DRIP DRAIN DESIGN

## PRODUCT SPECIFICATIONS

METR. SIZES		
Thread size	Item number	T
M22x1.5	9090020046	10
M24x1.5	9090020053	10
M25x1.5	9090020061	10
M26x1.5	9090020063	10
M27x2.0	9090020070	10
M27x2.0 + O-ring	9090020071	10
M28x1.5	9090020076	10
M30x1.5	9090020074	10
M32x1.5	9090020078	10
M36x1.5	9090020081	10
M36x2.0	9090020082	10
M42x2.0	9090020090	10

NPT		
Thread size	Item number	T
½"-14-NPT	9060020142	10
¾"-14-NPT	9060020144	10
1"-11.5 NPT	9060020145	10

UNF		
Thread size	Item number	T
⅞"-14 UNF	9080020115	10
⅞"-18 UNF	9080020118	10
⅞"-20 UNF	9080020119	10
1"-14 UNF	9080020121	10
1" ⅛-12 UNF	9080020122	10
1" ⅛-12 UNF + O-ring	9080020132	10
1" ⅛-12 UNF	9080020131	10
1" ⅙-12-UNF	9080020124	10
1" ⅕-12 UNF	9080020125	10
1" ⅕-12 UNF	9080020126	10
1" ½-12 UNF	9080020128	10

BSP		
Thread size	Item number	T
½"-14 BSP	9070020132	10
¾"-14 BSP	9070020134	10
1"-11 BSP	9070020141	10
1" ½-BSP	9070020144	10

UNS		
Thread size	Item number	T
1"-18 UNS	9060020148	10

## NON DRIP DRAIN DESIGN

## ACCESSORIES

DESCRIPTION	THREAD SIZE	ITEM NUMBER
Non drip Clicker	1/2" BSP	940000
Non drip Clicker	3/4" BSP	940001
Non drip Clicker	1" BSP	940002
Non drip Clicker	1/2" NPT	940003
Non drip Clicker	3/4" NPT	940004
Non drip Clicker	1" NPT	940005



## PRODUCTS

# STANDARD DRAIN PLUG

In 1983 Femco® introduced the Standard plug to make routine oil changes a quick, clean and more environmentally friendly job. The Standard plug is manufactured out of 100% brass, which makes it easy to change hot oil\*. Additionally, the oil drain plug features a dust cover and a double O-ring, which protects the plug and ensures reliable performance.

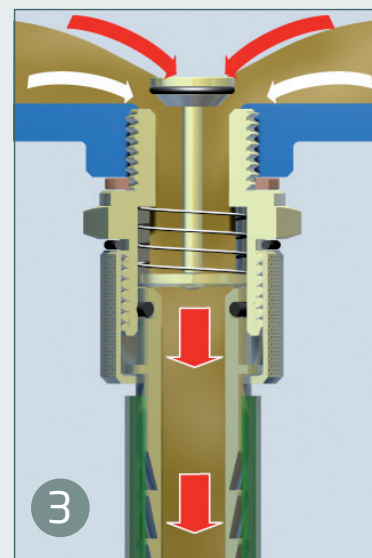
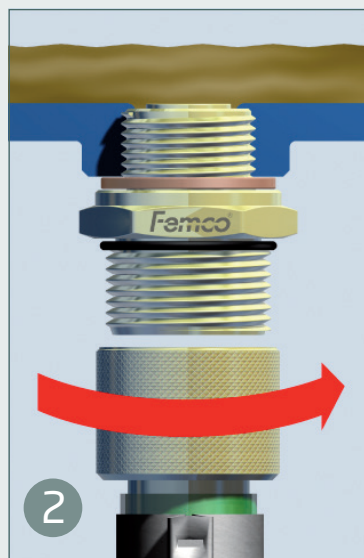
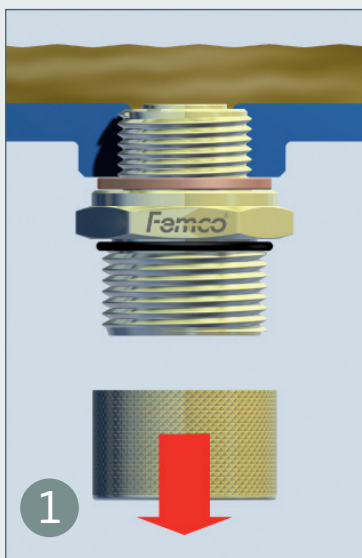
Did you know that, Femco® has developed a XL series for the large tanks. The XL has an optimized flow rate and needs up to 50% less time to empty your tank. Check if the size you need is available in XL on page 29. Is your size not there? please contact us for the possibilities.

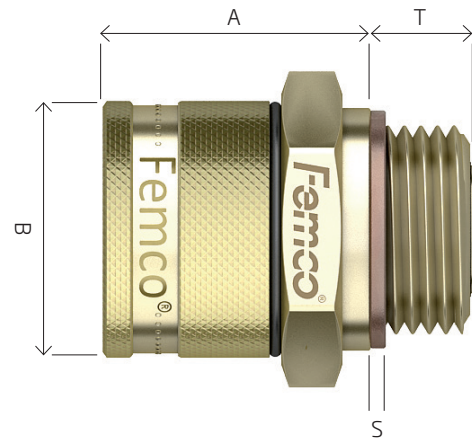
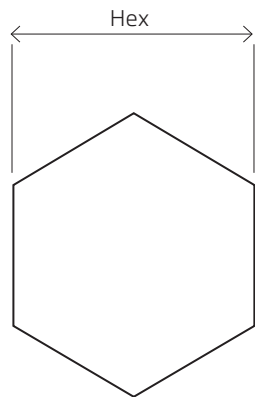


FREE  
NYLON DRAINER  
WITH EACH  
ORDER OF  
STANDARD  
DRAIN PLUGS



### HOW TO DRAIN YOUR OIL (OR OTHER FLUIDS)





METR. SIZES						
Thread size	Item number	T	A	B	S	Hex
M12x1.25	6090020029	10	32	30	2	30
M12x1.5	6090020030	10	32	30	2	30
M12x1.75	6090020031	10	32	30	2	30
M14x1.25	6090020032	10	32	30	2	30
M14x1.5	6090020033	10	32	30	2	30
M16x1.5	6090020036	10	32	30	2	27
M18x1.5	6090020037	14	28	30	2	30
M18x1.5	6090020038	10	32	30	2	30
M18x1.5	6090020039	15	32	30	2	30
M20x1.5	6090020040	10	32	30	2	30
M20x1.5	6090020044	15	32	30	2	30
M22x1.5	6090020046	10	32	30	2	30
M22x1.5 8/4	6090020047	10	32	30	2	30
M22x1.5	6090020047-01	12	32	30	2	27
M22x1.5	6090020050	17	30	30	2	30
M22x1.5	6090020049	15	32	30	2	30
M24x1.5	6090020053	10	32	30	2	30
M24x1.5	6090020054	12	30	30	2	30
M24x1.5	6090020055	15	28	30	2	30
M24x2.0	6090020057	12	30	30	2	30
M24x2.0	6090020058	21	30	30	2	30
M25x1.5	6090020061	15	27	30	2	32
M26x1.5	6090020063	10	32	30	2	32
M26x1.5	6090020066	10	42	30	2	32
M26x1.5	6090020064	17	25	30	2	32
M26x1.75	6090020067	10	32	30	2	32
M27x2.0	6090020070	12	30	30	2	32
M27x2.0 + o-ring	6090020071	12	30	30	o-ring	32
M28x1.5	6090020076	12	30	30	2	36

# PRODUCT SPECIFICATIONS

## STANDARD DRAIN DESIGN LB

METR. SIZES						
Thread size	Item number	T	A	B	S	Hex
M30x1.5	6090020074	10	32	30	2	36
M32x1.5	6090020078	12	30	30	2	36
M36x1.5	6090020081	12	30	30	2	42
M36x2.0	6090020082	12	30	30	2	42
M42x2.0	6090020090	12	30	30	2	50

NPT						
Thread size	Item number	T	A	B	S	Hex
3/8"-18 NPT	6060020142	10	32	30	n/a	30
1/2"-14 NPT	6060020143	12	30	30	n/a	30
3/4"-14 NPT	6060020144	15	27	30	n/a	32
3/4"-14 NPT	6060020140	12	30	30	n/a	32
1"-11,5 NPT	6060020145	12	30	30	n/a	36

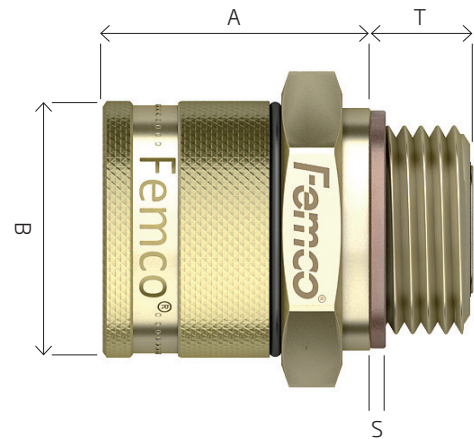
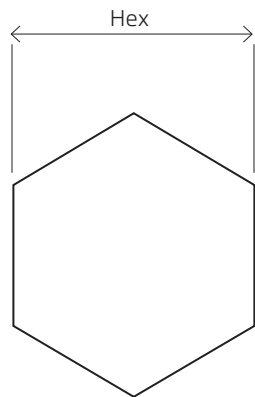
UNF						
Thread size	Item number	T	A	B	S	Hex
½"-20 UNF	6080020109	10	32	30	2	30
½"-20 UNF	6080020136	12	30	30	2	30
¾"-16 UNF	6080020113	10	32	30	2	30
¾"-16 UNF	6080020114	15	32	30	2	30
⅞"-14 UNF	6080020115	10	32	30	2	30
⅞"-18 UNF	6080020118	10	32	30	2	30
⅞"-20 UNF	6080020119	10	32	30	2	30
1"-14 UNF	6080020121	12	30	30	2	32
1" 1/16"-12 UNF	6080020122	15	27	30	2	32
1" 1/16"-12 UNF + O-ring	6080020132	15	27	30	2	32
1" 1/16"-12 UNF	6080020131	25	27	30	2	32
1" 1/8"-12 UNF	6080020123	15	27	30	2	36
1" 1/8"-12 UNF	6080020124	12	30	30	2	36
1" 5/16"-12 UNF	6080020125	12	30	30	2	36
1" 5/16"-12 UNF	6080020126	15	27	30	2	36
1" 1/2"-12 UNF	6080020128	12	30	30	2	46

BSP						
Thread size	Item number	T	A	B	S	Hex
¼"-19 BSP	6070020130	10	32	30	2	30
⅜"-19 BSP	6070020131	10	32	30	2	30
½"-14 BSP	6070020132	10	32	30	2	30
¾"-14 BSP	6070020134	10	32	30	2	32
1"-11 BSP	6070020141	12	30	30	2	36
1 1/2"-11 BSP	6070020144	10	30	30	2	55

UNS						
Thread size	Item number	T	A	B	S	Hex
1"-18 UNS	6060020148	12	30	30	2	32
1"-18 UNS	6060020149	25	27	30	2	32

# PRODUCT SPECIFICATIONS

## STANDARD DRAIN DESIGN SB



METR. SIZES						
Thread size	Item number	T	A	B	S	Hex
M12x1.25	6090010002	9	27	25	2	22
M12x1.5	6090010003	9	27	25	2	22
M12x1.75	6090010004	9	27	25	2	22
M14x1.25	6090010005	9	27	25	2	22
M14x1.5	6090010007	9	27	25	2	22
M16x1.5	6090010012	9	27	25	2	22
M16x1.5	6090010029	10	32	25	2	22
M16x1.5	6090010013	12	25	25	2	27
M18x1.5	6090010015	12	25	25	2	24
M18x1.5	6090010027	14	27	25	2	24
M20x1.5	6090010018	10	27	25	2	27
M22x1.5	6090010023	10	27	25	1,5	27
M22x1.5	6090010024	12	25	25	1,5	27
M22x1.5	6090010026	15	27	25	1,5	27
M38x1.5	6090010030	12	30	25	2	46

NPT						
Thread size	Item number	T	A	B	S	Hex
3/8"-18 NPT	6060010107	10	27	25	n/a	22
1/4"-18 NPT	6060010106	9	27	25	n/a	22
1/2"-14 NPT	6060010108	10	27	25	n/a	27
1/2"-14 NPT	6060010109	12	25	25	n/a	27

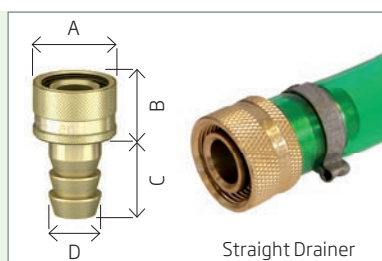


UNF						
Thread size	Item number	T	A	B	S	Hex
½"-20 UNF	6080010085	12	25	25	2	22
½"-20 UNF	6080010087	10	27	25	2	22
⅝"-18 UNF	6080010090	9	27	25	2	22
¾"-16 UNF	6080010092	10	27	25	2	27
¾"-16 UNF	6080010093	15	27	25	2	27
⅞"-14 UNF	6080010094	10	27	25	2	27
⅞"-18 UNF	6080010096	10	27	25	2	27
⅞"-20 UNF	6080010097	10	27	25	2	27

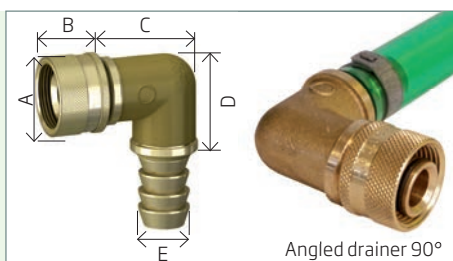
BSP						
Thread size	Item number	T	A	B	S	Hex
¼"-19 BSP	6070010102	9	27	25	2	22
⅜"-19 BSP	6070010103	9	28	25	2	22
⅝"-19 BSP	6070010131	10	27	25	2	22
½"-14 BSP	6070010100	10	27	25	2	27
¾"-14 BSP	6070010134	10	27	25	2	32

# ACCESSORIES

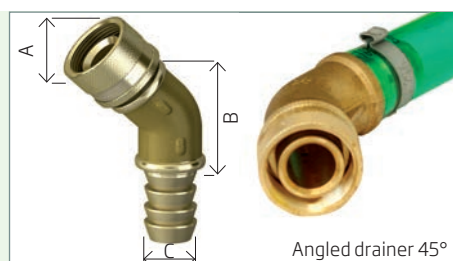
## STANDARD DRAIN DESIGN



Straight Drainer



Angled drainer 90°



Angled drainer 45°

### Fits all standard SB plugs

DESCRIPTION	THREAD SIZE	ITEM NUMBER	A	B	C	D
Straight Drainer	M22 x 1,5	650117	25	17	22	15
Straight Drainer with hose 25cm	M22 x 1,5	650100				
Straight Drainer with hose 130cm	M22 x 1,5	650101				


DESCRIPTION	THREAD SIZE	ITEM NUMBER	A	B	C	D	E
Angled drainer 90°	M22 x 1,5	650119	25	17	37	34	15
Angled drainer 90° with hose 25cm	M22 x 1,5	650106					
Angled drainer 90° with hose 130cm	M22 x 1,5	650107					

DESCRIPTION	THREAD SIZE	ITEM NUMBER	A	B	C
Angled drainer 45°	M22 x 1,5	650127	25	65	19
Angled drainer 45° with hose 25cm	M22 x 1,5	650114			
Angled drainer 45° with hose 40cm	M22 x 1,5	650115			

DESCRIPTION	ITEM NUMBER
Dustcap	650112



DESCRIPTION	ITEM NUMBER
Dustcap-set	650116



DESCRIPTION	ITEM NUMBER
Sampling nipple	951006



DESCRIPTION	ITEM NUMBER
Drainer Nylon suitable for hot oil	640115



### Fits all standard LB plugs

DESCRIPTION	THREAD SIZE	ITEM NUMBER	A	B	C	D
Straight Drainer	M26 x 1,5	650118	30	20	28	19
Straight Drainer with hose 25cm	M26 x 1,5	650103				
Straight Drainer with hose 130cm	M26 x 1,5	650104				


DESCRIPTION	THREAD SIZE	ITEM NUMBER	A	B	C	D	E
Angled drainer 90	M26 x 1,5	650120	30	20	40	37	19
Angled drainer 90 with hose 25cm	M26 x 1,5	650108					
Angled drainer 90 with hose 130cm	M26 x 1,5	650109					

DESCRIPTION	THREAD SIZE	ITEM NUMBER	A	B	C
Angled drainer 45°	M26 x 1,5	650123	30	65	19
Angled drainer 45° with hose 25cm	M26 x 1,5	650121			
Angled drainer 45° with hose 130cm	M26 x 1,5	650122			


DESCRIPTION	ITEM NUMBER
Dustcap	650113




DESCRIPTION	ITEM NUMBER
Dustcap-set	650135



DESCRIPTION	ITEM NUMBER
Sampling nipple	951007



DESCRIPTION	ITEM NUMBER
Drainer Nylon suitable for hot oil	640100



DESCRIPTION	ITEM NUMBER
Sealing cap for Drainer	650137



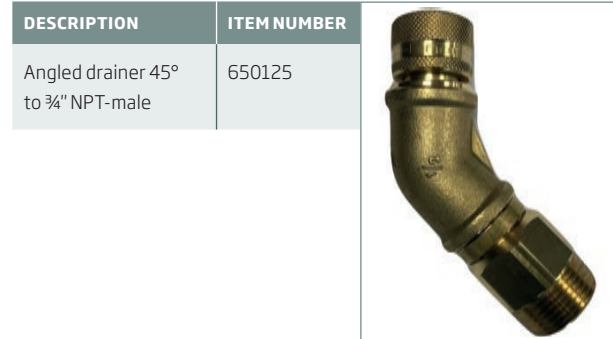
DESCRIPTION	ITEM NUMBER
Sealing plug for drainer hose	650138



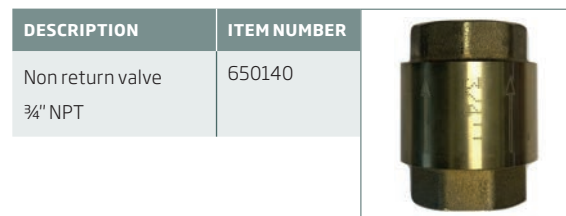
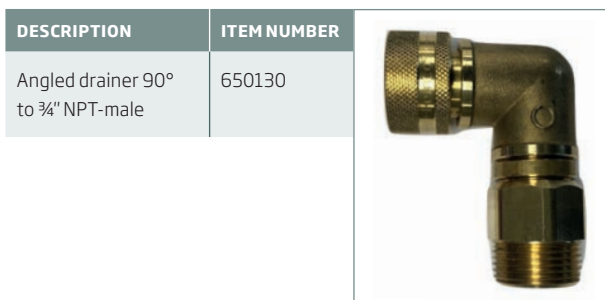
## STANDARD DRAIN DESIGN

## ACCESSORIES

Connect our drainers directly to your evac unit  
Fits all standard SB plugs



Fits all standard LB plugs



With 600 sizes in stock, if you don't see yours, please contact us for a quote.

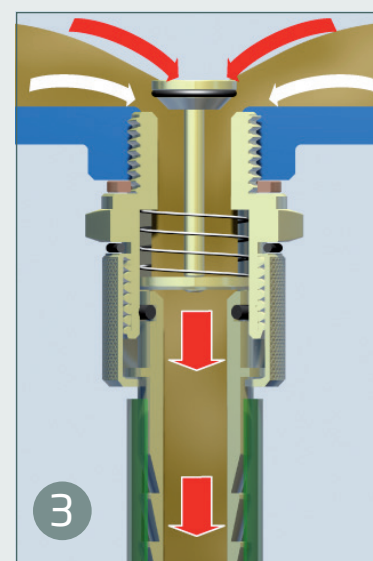
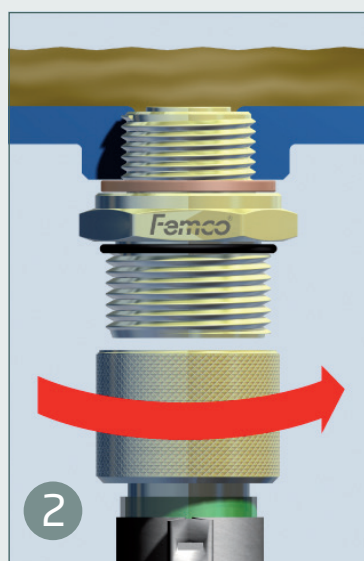
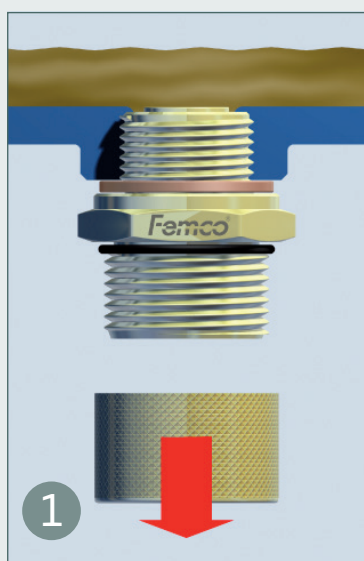
## PRODUCTS

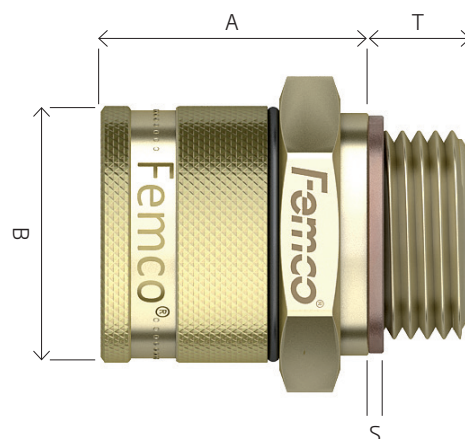
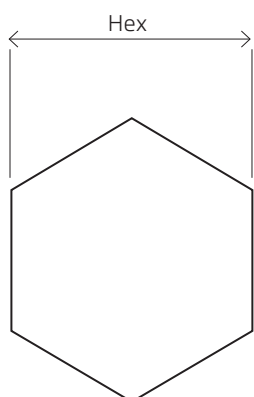
# XL DRAIN PLUG

The XL is the biggest oil drain plug we produce and is the ideal solution for vehicles and machines with a large oil capacity. Our XL oil drain plug has an optimised flow and is specially designed to drain large volumes of oil in a short amount of time. Therefore, the XL is the ideal solution for heavy equipment such as trucks and mining equipment. To service fleets of large vehicles Femco® has also introduced the XL Click Drain. This quick-coupling system combines the advantages of the XL and the Click Drain plugs. Therefore, the XL Click Drain is the most effective solution for fleets of heavy equipment and train.



### HOW TO DRAIN YOUR OIL (OR OTHER FLUIDS)





METR. SIZES						
Thread size	Item number	T	A	B	S	Hex
M27x2.0	5090020272	12	30	40	2	36
M27x2.0 o-ring	5090020273	12	30	40	o-ring	36
M30x1.5	5090020301	10	32	40	2	36
M32x1.5	5090020322	12	30	40	2	41

NPT						
Thread size	Item number	T	A	B	S	Hex
1 1/16 NPT	5060021115	12	30	40	n/a	41

UNF						
Thread size	Item number	T	A	B	S	Hex
1 1/16-12 UNF	5080021116	15	30	40	2	36
1 1/8-12 UNF	5080021181	12	27	40	2	36
1-1/8 12 UNF	5080021180	15	27	40	2	36
1 5/16-12 UNF	5080021516	12	30	40	2	36
1 1/2-12 UNF	5080021120	12	30	40	2	46
1 7/8-12 UNF	5080020178	12	30	40	2	46

BSP						
Thread size	Item number	T	A	B	S	Hex
1-11 BSP	5070021111	12	30	40	2	41

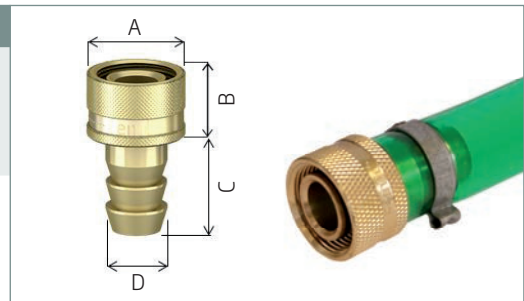


## XL DRAIN DESIGN

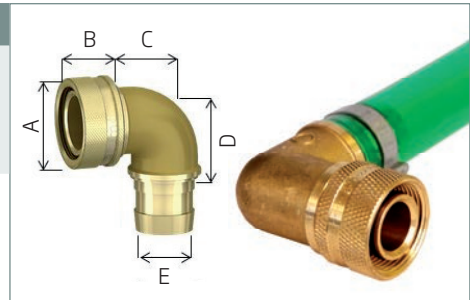
## ACCESSORIES

### Fits all XL drain plugs

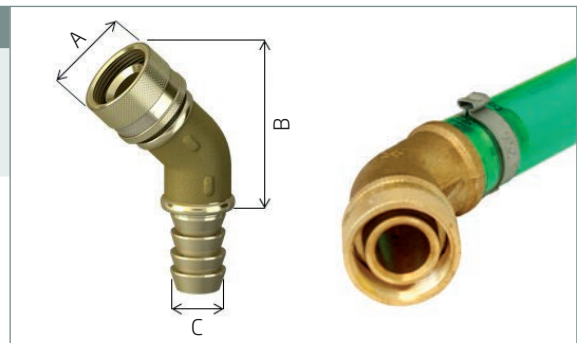
DESCRIPTION	THREAD SIZE		ITEM NUMBER	A	B	C	D
Straight Drainer	M36 x 1.5	XL	655001	40	18	28	26
Straight Drainer with hose 25cm	M36 x 1.5	XL	655002				
Straight Drainer with hose 130cm	M36 x 1.5	XL	655003				



DESCRIPTION	THREAD SIZE		ITEM NUMBER	A	B	C	D	E
Angled drainer 90°	M36 x 1.5	XL	655006	40	18	48	43	26
Angled drainer 90° with hose 25cm	M36 x 1.5	XL	655007					
Angled drainer 90° with hose 130cm	M36 x 1.5	XL	655008					



DESCRIPTION	THREAD SIZE		ITEM NUMBER	A	B	C
Angled drainer 45°	M36 x 1.5	XL	655009	40	52	26
Angled drainer 45° with hose 25cm	M36 x 1.5	XL	655010			
Angled drainer 45° with hose 40cm	M36 x 1.5	XL	655011			



DESCRIPTION	THREAD SIZE		ITEM NUMBER
Straight drainer XL to 3/4" NPT male	M36 x 1.5	XL	655020
90° Angled drainer XL to 3/4" NPT male	M36 x 1.5	XL	655021
45° Angled drainer XL to 3/4" NPT male	M36 x 1.5	XL	655022



DESCRIPTION	THREAD SIZE		ITEM NUMBER
Straight drainer XL to 3/4" BSP male	M36 x 1.5	XL	655030
90° Angled drainer XL to 3/4" BSP male	M36 x 1.5	XL	655031
45° Angled drainer XL to 3/4" BSP male	M36 x 1.5	XL	655032

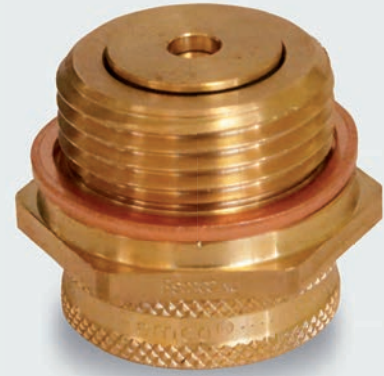


With 600 sizes in stock, if you don't see yours, please contact us for a quote.

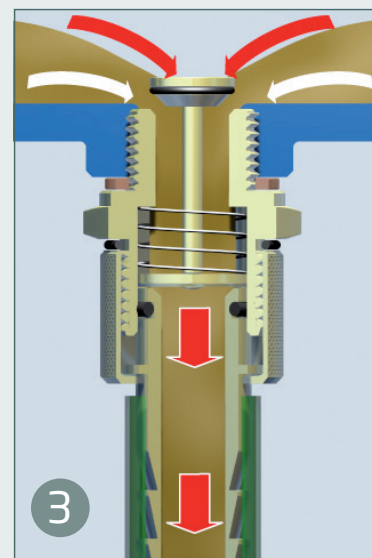
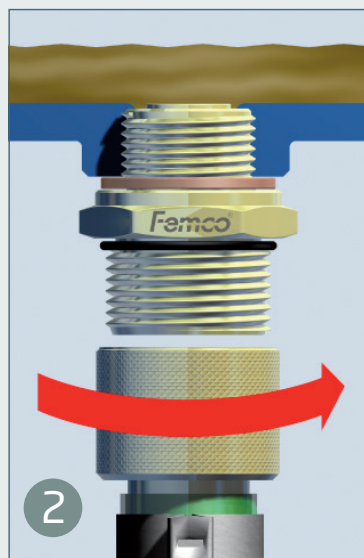
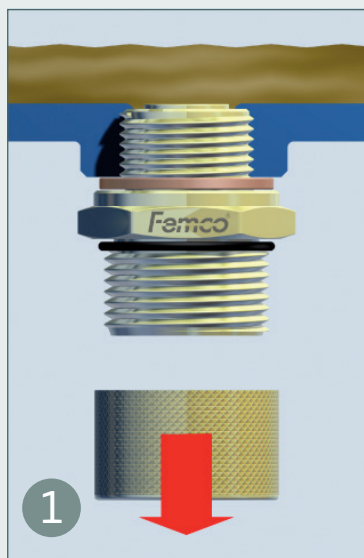
## PRODUCTS

# COMPACT DRAIN PLUG

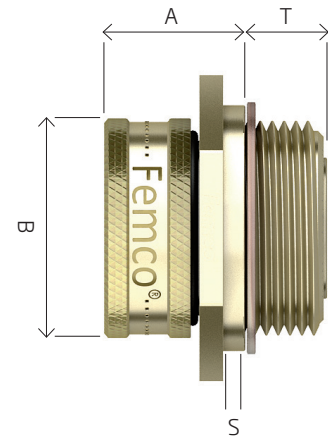
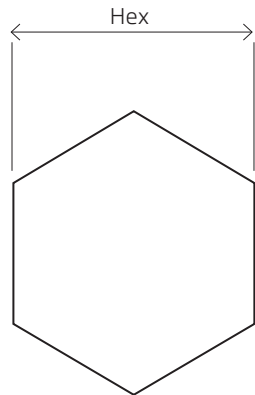
The Compact Drain is the plug with the lowest profile we produce and is the perfect choice for oil changes in tight spaces. The Compact plug only extends 12 millimetres from the sump/oil pan. This makes it especially suitable for vehicles with a low ground clearance.



### HOW TO DRAIN YOUR OIL (OR OTHER FLUIDS)







METR. SIZES						
Thread size	Item number	T	A	B	S	Hex
M12x1.25	7090020177	10	12	28	2	30
M12x1.5	7090020178	10	12	28	2	30
M12x1.75	7090020170	10	12	28	2	30
M14x1.25	7090020180	10	12	28	2	30
M14x1.5	7090020181	10	12	28	2	30
M16x1.5	7090020184	10	12	28	2	30
M18x1.5	7090020186	10	12	28	2	30
M18x1.5	7090020183	14	14	28	2	30
M20x1.5	7090020189	10	13	28	2	30
M22x1.5	7090020195	10	12	28	2	30
M22x1.5	7090020198	15	12	28	2	30
M24x1,5	7090020203	12	15	28	2	30
M24x1.5	7090020204	15	12	28	2	30
M24x2.0	7090020206	12	15	28	2	30
M25x1.5	7090020210	15	12	28	2	32
M26x1.5	7090020212	10	12	28	2	32
M27x2.0	7090020216	12	15	28	2	32
M28x1.5	7090020339	12	12	28	2	36
M30x1.5	7090020220	10	12	28	2	36
M32x1.5	7090020222	12	12	28	2	36
M36x1.5	7090020337	12	15	28	2	42
M36x2.0	7090020336	12	15	28	2	42

# PRODUCT SPECIFICATIONS

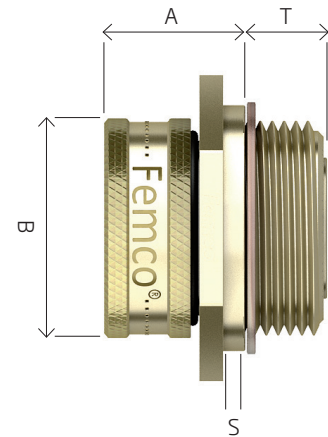
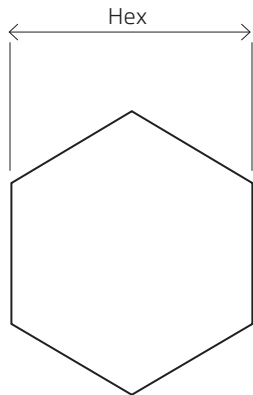
## COMPACT DRAIN DESIGN LB

NPT						
Thread size	Item number	T	A	B	S	Hex
3/8-18 NPT	7060020407	10	12	28	n/a	30
1/4-18 NPT	7060020406	10	12	28	n/a	30
1/2-14 NPT	7060020408	12	12	28	n/a	30
3/4-14 NPT	7060020412	15	12	28	n/a	32
3/4-14 NPT	7060020409	12	15	28	n/a	32
1 1/1.5 NPT	7060020413	12	15	28	n/a	36

UNF						
Thread size	Item number	T	A	B	S	Hex
1/2-20 UNF	7080020354	10	12	28	2	30
1/2-20-UNF	7080020392	12	12	28	2	30
3/4 16 UNF	7080020358	10	12	28	2	30
3/4-16 UNF	7080020359	15	12	28	2	30
7/8-14 UNF	7080020360	10	12	28	2	30
7/8-18 UNF	7080020363	10	12	28	2	30
7/8-20 UNF	7080020364	10	12	28	2	30
1-14 UNF	7080020367	12	15	28	2	32
1 1/8-12 UNF	7080020387	12	15	28	2	32
1-1/16-12 UNF	7080020377	12	15	28	2	32
1 5/16-12 UNF	7080020372	12	15	28	2	32
1 1/2-12 UNF	7080020355	12	15	28	2	46

BSP						
Thread size	Item number	T	A	B	S	Hex
1/2-14 BSP	7070020397	10	12	28	2	30
3/8-19 BSP	7070020396	10	12	28	2	30
3/4-14 BSP	7070020399	12	15	28	2	32
1-11 BSP	7070020401	12	15	28	2	36

UNS						
Thread size	Item number	T	A	B	S	Hex
1-18 UNS	7050020417	12	15	28	2	32



METR. SIZES						
Thread size	Item number	T	A	B	S	Hex
M12x1.25	7090010151	9	12	24	2	22
M12x1.5	7090010152	9	12	24	2	22
M12x1.75	7090010153	9	12	24	2	22
M14x1.25	7090010154	9	12	24	2	22
M14x1.25	7090010157	12	12	24	2	22
M14x1.5	7090010156	9	12	24	2	22
M16x1.5	7090010161	9	12	24	2	22
M18x1.5	7090010163	10	12	24	2	24
M18x1.5	7090010166	14	23	24	2	24
M20x1.5	7090010167	10	12	24	2	27
M22x1.5	7090010172	10	12	24	2	27
M22x1.5	7090010174	15	12	24	2	27

NPT						
Thread size	Item number	T	A	B	S	Hex
¼-18 NPT	7060010350	9	12	24	n/a	22
⅜-18 NPT	7060010352	9	12	24	n/a	24
½-14 NPT	7060010353	9	12	24	n/a	27
½-14 NPT	7060010354	12	12	24	n/a	27

UNF						
Thread size	Item number	T	A	B	S	Hex
½-20 UNF	7080010334	9	12	24	2	22
½-20 UNF	7080010332	12	12	24	2	22
¾ 16 UNF	7080010339	10	12	24	2	24
¾-16 UNF	7080010340	15	12	24	2	24

# PRODUCT SPECIFICATIONS

## COMPACT DRAIN DESIGN SB

BSP						
Thread size	Item number	T	A	B	S	Hex
¼-19 BSP	7070010346	9	12	24	2	22
⅜-19 BSP	7070010347	9	12	24	2	22
½-14 BSP	7070010348	10	12	24	2	27

# ACCESSORIES

## COMPACT DRAIN DESIGN



## Fits all compact SB plugs


DESCRIPTION	THREAD SIZE	ITEM NUMBER	A	B	C	D
Straight Drainer	M20x1.25	750003	25	19	24	15
Straight Drainer with hose 25cm	M20x1.25	750001				
Straight Drainer with hose 130cm	M20x1.25	750002				

DESCRIPTION	THREAD SIZE	ITEM NUMBER	A	B	C	D	E
Angled drainer 90°	M20x1.25	750009	25	17	37	34	15
Angled drainer 90° with hose 25cm	M20x1.25	750004					
Angled drainer 90° with hose 130cm	M20x1.25	750008					


DESCRIPTION	THREAD SIZE	ITEM NUMBER	A	B	C
Angled drainer 45°	M20x1.25	750040	25	65	19
Angled drainer 45° with hose 25cm	M20x1.25	750024			
Angled drainer 45° with hose 130cm	M20x1.25	750041			

DESCRIPTION	THREAD SIZE	ITEM NUMBER	A	B	C	D	E	F
Angled drainer 90°	M20x1.25	750029	23	30	10	16	44	15
Angled drainer 90° with hose 25cm	M20x1.25	750030						
Angled drainer 90° with hose 130cm	M20x1.25	750031						

DESCRIPTION	ITEM NUMBER
Dustcap	750027



DESCRIPTION	ITEM NUMBER
Sampling nipple	951009



## COMPACT DRAIN DESIGN

## ACCESSORIES

### Fits all compact LB plugs

DESCRIPTION	THREAD SIZE	ITEM NUMBER	A	B	C	D
Straight Drainer	M24x1.25	750007	30	20	28	19
Straight Drainer with hose 25cm	M24x1.25	750005				
Straight Drainer with hose 130cm	M24x1.25	750006				

DESCRIPTION	THREAD SIZE	ITEM NUMBER	A	B	C	D	E
Angled drainer 90	M24x1.25	750012	30	20	40	37	19
Angled drainer 90 with hose 25cm	M24x1.25	750010					
Angled drainer 90 with hose 130cm	M24x1.25	750011					

DESCRIPTION	THREAD SIZE	ITEM NUMBER	A	B	C
Angled drainer 45°	M24x1.25	750026	30	65	19
Angled drainer 45° with hose 25cm	M24x1.25	750013			
Angled drainer 45° with hose 130cm	M24x1.25	750014			

DESCRIPTION	THREAD SIZE	ITEM NUMBER	A	B	C	D	E	F
Angled drainer 90	M24x1.25	750032	28	30	10	16	44	15
Angled drainer 90 with hose 25cm	M24x1.25	750033						
Angled drainer 90 with hose 130cm	M24x1.25	750034						

DESCRIPTION	ITEM NUMBER
Dustcover for Compact drainer	750036



DESCRIPTION	ITEM NUMBER
Dustcap	750028



DESCRIPTION	ITEM NUMBER
Sampling nipple	951008



### Connect our drainers directly to your evac unit



Angled drainer 90°



Angled drainer 45°



Straight drainer

### Fits all compact SB plugs

DESCRIPTION	ITEM NUMBER
Angled drainer 90° to ¾" NPT male	750015

DESCRIPTION	ITEM NUMBER
Angled drainer 45° to ¾" NPT male	750016

DESCRIPTION	ITEM NUMBER
Straight drainer to ¾" NPT male	750019

### Fits all compact LB plugs

DESCRIPTION	ITEM NUMBER
Angled drainer 90° to ¾" NPT male	750021

DESCRIPTION	ITEM NUMBER
Angled drainer 45° to ¾" NPT male	750022

DESCRIPTION	ITEM NUMBER
Straight drainer to ¾" NPT male	750025

With 600 sizes in stock, if you don't see yours, please contact us for a quote.

## PRODUCTS

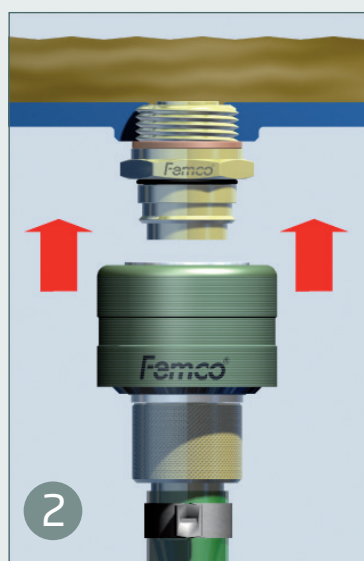
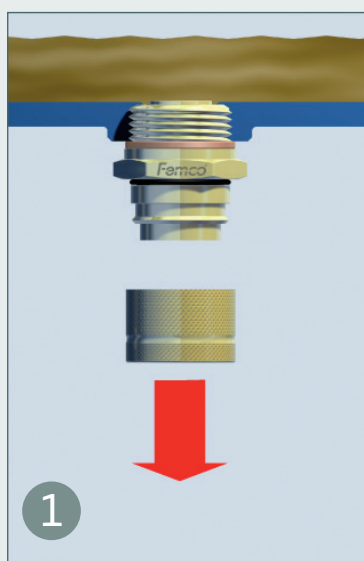
# CLICK DRAIN PLUG

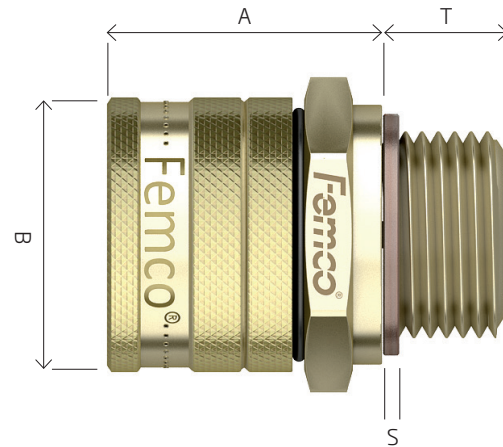
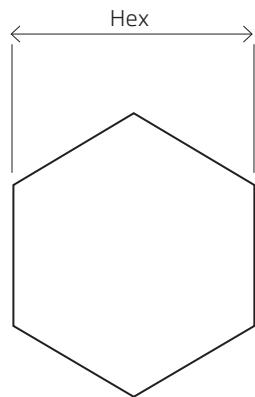
The Click Drain is the quickest solution for maintenance of your vehicles and machines. The Click Drain oil drain system consists of an oil drain plug and a clicker. When it is time for an oil change you simply click the Clicker onto the oil drain plug to start draining the oil.

Did you know that, Femco® has developed a XL Click Drain series for the large tanks. The XL has an optimized flow rate and needs up to 50% less time to empty your tank. Check if the size you need is available in XL Click drain on page 44. Is your size not there? please contact us for the possibilities.



### HOW TO DRAIN YOUR OIL (OR OTHER FLUIDS)





METR. SIZES						
Thread size	Item number	T	A	B	S	Hex
M12x1.25	8090020419	10	32	30	2	30
M12x1.5	8090020420	10	32	30	2	30
M12x1.75	8090020421	10	32	30	2	30
M14x1.25	8090020422	10	32	30	2	30
M14x1.5	8090020423	10	32	30	2	30
M16x1.5	8090020426	10	32	30	2	30
M18x1.5	8090020428	10	32	30	2	30
M18x1.5	8090020476	12	30	30	2	30
M18x1.5	8090020477	14	27	30	2	30
M20x1.5	8090020432	15	32	30	2	30
M20x1.5	8090020430	10	32	30	2	30
M22x1.5	8090020436	10	32	30	2	30
M22x1.5	8090020437	14	32	30	2	30
M22x1.5	8090020440	15	32	30	2	30
M24x1,5	8090020444	12	30	30	2	30
M24x1.5	8090020445	15	27	30	2	30
M24x1.5	8090020448	10	42	30	2	30
M24x2.0	8090020447	12	30	30	2	30
M25x1.5	8090020451	15	27	30	2	32
M26x1.5	8090020452	10	30	30	2	32
M26x1.5 50L	8090020455	10	45	30	2	32
M27x2.0	8090020458	12	32	30	2	32
M27x2.0 o-ring	8090020459	12	32	30	o-ring	32
M30x1.5	8090020463	10	32	30	2	36
M32x1.5	8090020467	12	30	30	2	36
M36x2.0	8090020471	12	30	30	2	42
M42x2.0	8090020469	12	30	30	2	50





NPT						
Thread size	Item number	T	A	B	S	Hex
3/8-18 NPT	8060020512	10	32	30	n/a	30
1/4-18 NPT	8060020511	10	32	30	n/a	30
1/2-14 NPT	8060020513	12	32	30	n/a	30
3/4-14 NPT	8060020514	12	30	30	n/a	32
3/4-14 NPT	8060020520	15	30	30	n/a	32
1-11.5 NPT	8060020516	12	27	30	n/a	36

UNF						
Thread size	Item number	T	A	B	S	Hex
1/2-20 UNF	8080020477	10	32	30	2	30
1/2-20 UNF	8080020512	12	32	30	2	30
3/4-16 UNF	8080020481	10	30	30	2	30
3/4-16 UNF	8080020482	15	32	30	2	30
7/8-14 UNF	8080020483	10	32	30	2	30
7/8-18 UNF	8080020486	10	32	30	2	30
7/8-20 UNF	8080020487	10	32	30	2	30
1 1/2-12 UNF	8080020496	12	30	30	2	46
1 1/8-12 UNF	8080020498	12	32	30	2	36
1 5/16-12 UNF	8080020494	12	30	30	2	36
1-1/16-12 UNF	8080020490	15	27	30	2	32
1-1/8-12 UNF	8080020491	15	27	30	2	36
1-14 UNF	8080020489	12	32	30	2	32

BSP						
Thread size	Item number	T	A	B	S	Hex
3/8-19 BSP	8080020501	10	32	30	2	30
1/2-14 BSP	8080020502	10	32	30	2	30
3/4-14 BSP	8080020505	12	32	30	2	32
1-11 BSP	8080020506	12	30	30	2	36

UNS						
Thread size	Item number	T	A	B	S	Hex
1-18 UNS	8060020519	12	30	30	2	32

# ACCESSORIES

## CLICK DRAIN DESIGN

DOUBLE CLICKER FOR FEMCO® LB PLUG	ITEM NUMBER
Double Click drainer Straight	840001
Double Click drainer Straight 25cm Hose	840002
Double Click drainer Straight 130 cm hose	840003
Double Click drainer angled 90	840004
Double Click drainer angled 90, 25cm hose	840005
Double Click drainer angled 90, 130cm hose	840006
Double Click drainer angled 45	840007
Double Click drainer angled 45, 25cm hose	840008
Double Click drainer angled 45, 130cm hose	840009

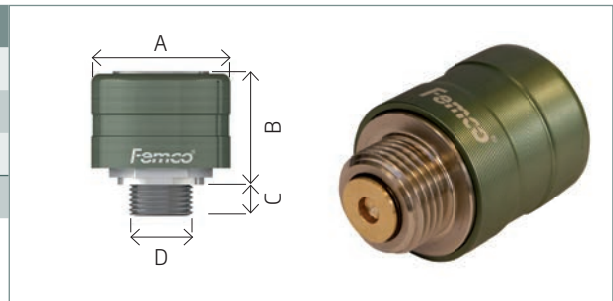
SOLO CLICKER FOR FEMCO® LB PLUG	ITEM NUMBER
Solo Click drainer Straight	840010
Solo Click drainer Straight 25cm hose	840011
Solo Click drainer Straight 130 cm hose	840012
Solo Click drainer angled 90	840013
Solo Click drainer angled 90, 25cm hose	840014
Solo Click drainer angled 90, 25cm hose	840015
Solo Click drainer angled 45	840016
Solo Click drainer angled 45, 25cm hose	840017
Solo Click drainer angled 45, 130cm hose	840018



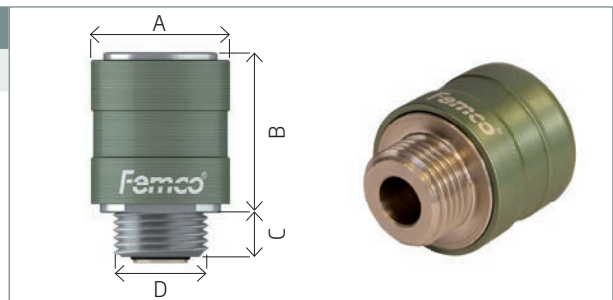
## CLICK DRAIN DESIGN

## ACCESSORIES

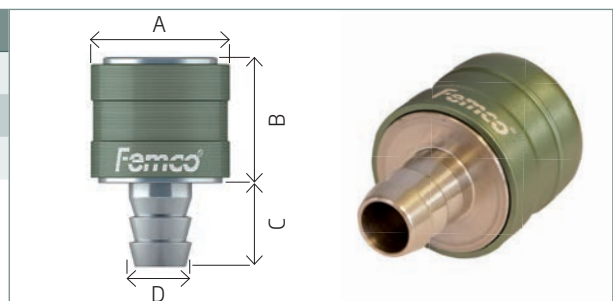
SIZES DOUBLE CLICKER	ITEM NUMBER		A	B	C	D
Double Clicker ¾" BSP	851013	LB	49	37	12	¾" BSP
Double Clicker ½" BSP	851017	LB	49	37	12	½" BSP
Double Clicker 1" BSP	851019	LB	49	37	12	1" BSP
Double Clicker ¾" 14 NPT	851018	LB	49	37	12	¾" NPT



SIZES SOLO CLICKER	ITEM NUMBER		A	B	C	D
Solo Clicker ½" BSP	851000	LB	49	37	12	½" BSP



SOLO CLICKER HOSE CONNECTION	ITEM NUMBER		A	B	C	D
Solo clicker hose connection	851015	LB	49	37	12	15
Solo clicker hose connection, 25cm hose	851026	LB				
Solo clicker hose connection, 130cm hose	851027	LB				



SIZES SOLO CLICKER	ITEM NUMBER
Sealing Cap for Clicker	LB 850109



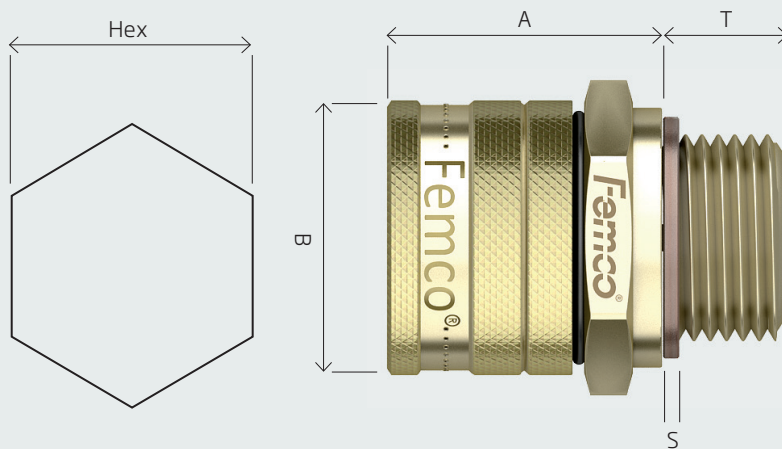
DESCRIPTION	ITEM NUMBER
Angled drainer 90° to ¾" NPT-female, with valve	LB 840037
Straight clicker to ¾" female, with valve	LB 840038
Angled clicker 45° to ¾" NPT-female	LB 840039



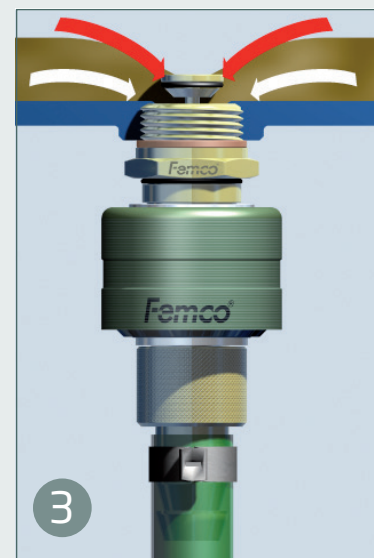
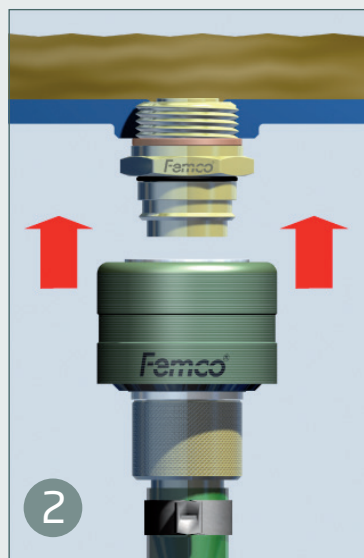
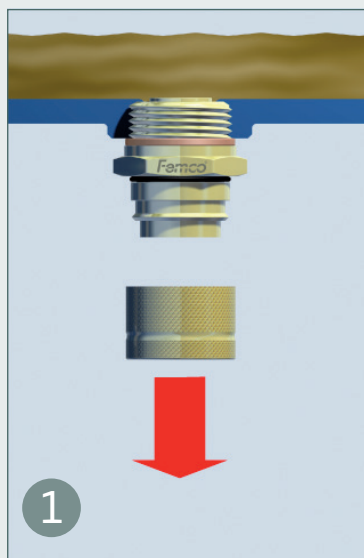
## PRODUCTS

# XL CLICK DRAIN PLUG

The XL is the biggest oil drain plug we produce and is the ideal solution for vehicles and machines with a large oil capacity. Our XL oil drain plug has an optimised flow and is specially designed to drain large volumes of oil in a short amount of time. Therefore, the XL is the ideal solution for heavy equipment such as trucks and mining equipment. To service fleets of large vehicles Femco® has also introduced the XL Click Drain. This quick-coupling system combines the advantages of the XL and the Click Drain plugs. Therefore, the XL Click Drain is the most effective solution for fleets of heavy equipment and train.



### HOW TO DRAIN YOUR OIL (OR OTHER FLUIDS)



## XL CLICK DRAIN DESIGN LB

## PRODUCT SPECIFICATIONS

METR. SIZES						
Thread size	Item number	T	A	B	S	Hex
M27x2.0	8190020272	12	30	40	2	41
M30x1.5	8190020301	10	30	40	2	41
M32x1.5	8190020322	12	30	40	2	41


NPT						
Thread size	Item number	T	A	B	S	Hex
1-11.5 NPT	8160021115	12	30	40	n/a	41


UNF						
Thread size	Item number	T	A	B	S	Hex
1 1/16-12 UNF	8180020492	12	30	40	2	41
1 1/2-12 UNF	8180021120	12	30	40	2	41
1 3/8-12 UNF	8180021181	12	30	40	2	41
1 5/16-12 UNF	8180021516	12	30	40	2	41
1 1/8-12 UNF	8180020491	15	30	40	2	41


BSP						
Thread size	Item number	T	A	B	S	Hex
1-11 BSP	8170021111	12	30	40	2	41

## XL CLICK DRAIN DESIGN


## ACCESSORIES

DESCRIPTION	ITEM NUMBER	
XL Clicker 1 1/4 BSP	870100	
XL Clicker 1 BSP	870102	
XL Clicker M27	870103	
XL Clicker 1 1/2 NPT	870104	

DESCRIPTION	ITEM NUMBER	
Straight drainer 1" 1/4 BSP	870107	

DESCRIPTION	ITEM NUMBER	
Sealing Cap for XL Clicker	870105	

DESCRIPTION	ITEM NUMBER	
Angled drainer 90°	870108	

DESCRIPTION	ITEM NUMBER	
Dust Cap XL Click	870106	

With 600 sizes in stock, if you don't see yours, please contact us for a quote.

## PRODUCTS

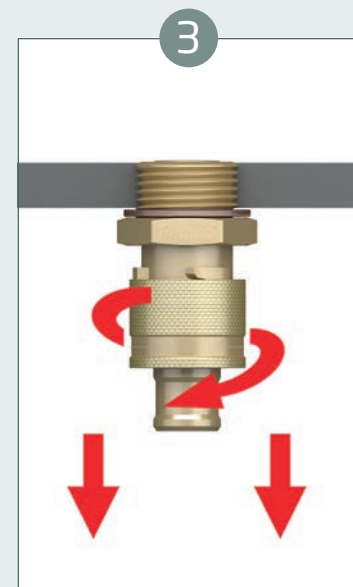
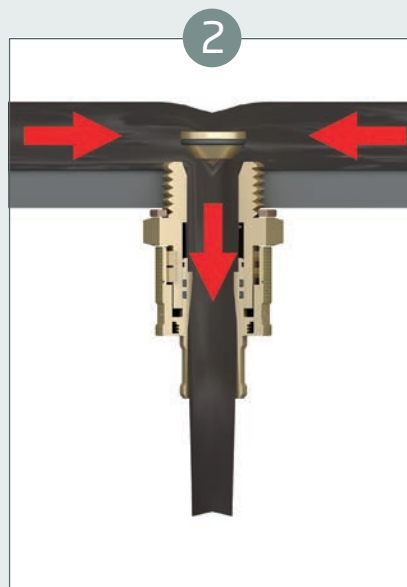
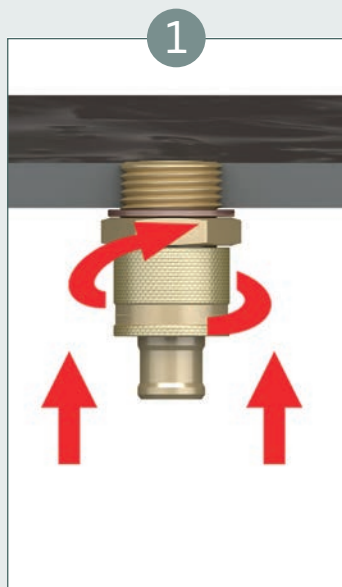
# QUICK DRAIN PLUG

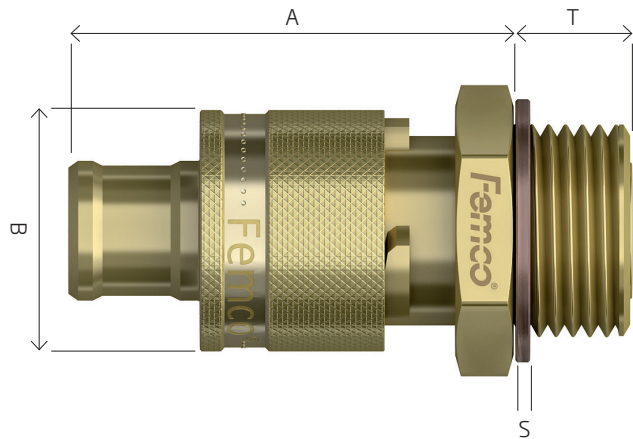
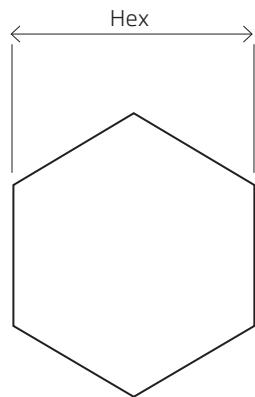
The Quick Drain is a two-in-one solution which combines a plug with a drain connector. When it's time to perform an oil change, simply 'push and turn'.

You can simply use the oil drain valve without using any specialist tools. In addition to this it is easy to take oil samples using the Quick Drain. The Quick Drain oil drain valve also incorporates a locking system to ensure an effective seal.



### HOW TO DRAIN YOUR OIL (OR OTHER FLUIDS)





METR. SIZES						
Thread size	Item number	T	A	B	S	Hex
M12x1.25	6190010001	10	48	14	2	27
M12x1.75	6190010004	10	48	14	2	27
M12x1.5	6190010009	10	48	14	2	27
M14x1.25	6190010012	10	48	14	2	27
M14x1.5	6190010006	10	48	14	2	27
M16x1.5	6190010010	10	48	14	2	27
M18x1.5	6190010015	14	49	14	2	27
M20x1.5	6190010016	10	48	14	2	27
M22x1.5	6190010019	10	48	14	2	27
M22x1.5	6190010021	15	48	14	2	27
M27x2,0	6190010035	12	46	14	2	27

NPT						
Thread size	Item number	T	A	B	S	Hex
½-14-NPT	6160010002	12	46	14	n/a	27
¾-18-NPT	6160010003	10	48	14	n/a	27

UNF						
Thread size	Item number	T	A	B	S	Hex
¾-16-UNF	6180010007	10	48	14	2	27
¾-16-UNF	6180010008	15	48	14	2	27
½-20-UNF	6180010001	10	48	14	2	27

BSP						
Thread size	Item number	T	A	B	S	Hex
½-14-BSP	6170010001	10	48	14	2	27
¾-19-BSP	6170010008	10	48	14	2	27



**Femco Draintechnology B.V.**

Rendementsweg 7

3641 SK Mijdrecht

The Netherlands

☎ +31 (0)297 - 23 02 05

✉ info@femco.com

**Femco USA Inc.**

15321 Main Street NE

Suite 319

Duvall WA 98019

United States

☎ +1 425 318 6050

✉ USA@femco.com